

KingSwell[®] 3030

Hydrophilic Waterstop for Expansion Joint.

DESCRIPTION

KingSwell 3030 is a chemically modified natural rubber product with an embedded stainless steel wire mesh. A patented process chemically binds a hydrophilic agent to the rubber. DP-3030N stops water by compression from rubber's natural resilience and moisture induced expansion.

DP-3030N will fill any void within the limits of its expansion capability. This is a vulcanized product. It has high tensile and compressive strength.

APPLICATIONS

KingSwell 3030 can be used in expansion joints. This product is an excellent waterstop for use shear movement joints.

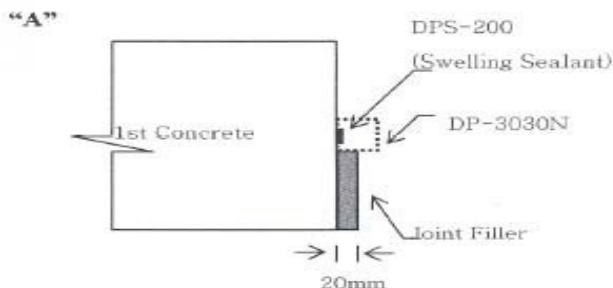
METHOD OF INSTALLATION

Remove any dirt or loose debris from the surface of the concrete. Adhere DP-3030N by using screws, rubber adhesive or Hilti. Construction adhesive depending on choice and site conditions.

For added assurance or in the case of rough concrete, apply a bead of DPS-200 before placing DP-3030N.

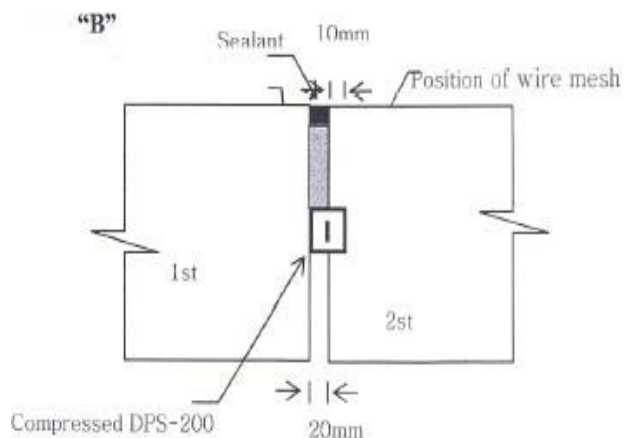
Another option is to place a small bead of DPS-200 on both sides of the DP-3030N. Do not allow any gaps between DP-3030N and the concrete. Screw must be perpendicular to the stainless steel wire mesh.

TYPICAL INSTALLATION



TECHNICAL PROPERTIES

Colour:	Black
Hardness (HS):	45 ± 10
Tensile strength:	25 kg/ cm ² above
Elongation:	550% above
Specific gravity:	1.1 above
Expansion volume:	150% above
Vulcanization:	Yes



PACKAGING

10 m/ roll, 2 rolls/ box.
Size: 30 mm x 30 mm.

STORAGE

Shelf life is 1 year when stored under cover, out of direct sunlight and protected from extremes of temperature.

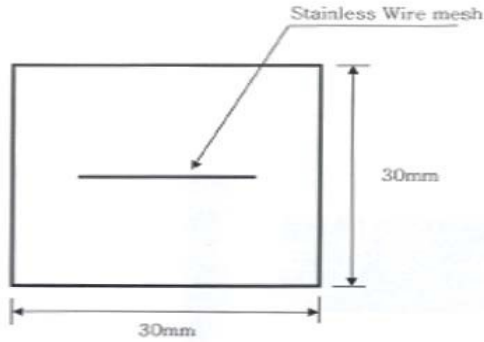
Failure to comply with the recommended storage conditions may result in premature deterioration of the product or packaging. For specific storage advice consult KingKrete's Technical Services Department.

HEALTH AND SAFETY

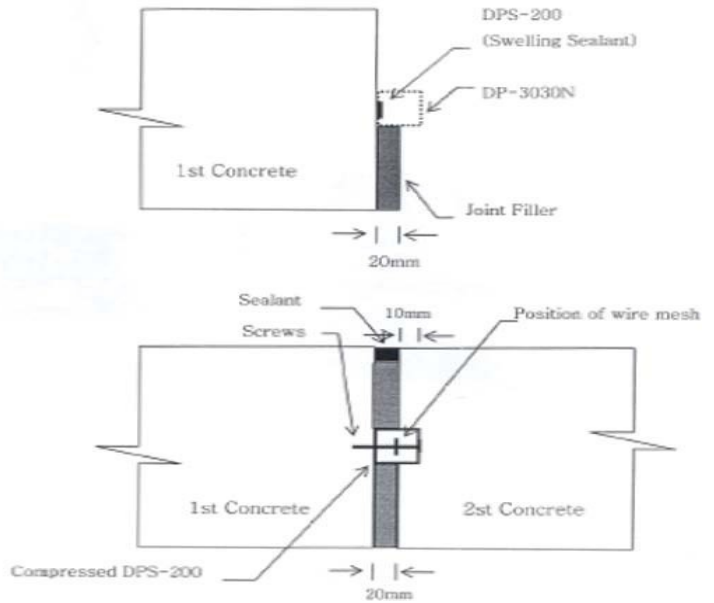
As with all chemical products, care should be taken during use and storage to avoid contact with eyes, mouth, skin and foodstuffs. Treat splashes to eyes and skin immediately. If accidentally ingested, seek medical attention. Reseal containers after use. Use in well ventilated areas and avoid inhalation.

KingSwell[®] 3030

1. Drawing of Hyperseal DP-3030N



2. Installation



NOTE

Field service, where provided, does not constitute supervisory responsibility. For additional information contact your local KingKrete representative. KingKrete Inc. reserves the right to have the true cause of any difficulty determined by accepted test methods.

QUALITY AND CARE

All products originating from KingKrete's manufacturing facilities are manufactured under a management system independently certified to conform to the requirements of the quality standard ISO 9001.

* Properties listed are based on laboratory-controlled tests.

® = Registered trademark of the KingKrete-Group in many countries.

KK KK-NA-03.2-SW-3030-R3-2601

STATEMENT OF RESPONSIBILITY

The technical information and application advice given in this KingKrete Inc. publication are based on the present state of our best scientific and practical knowledge. As the information herein is of a general nature, no assumption can be made as to a product's suitability for a particular use or application and no warranty as to its accuracy, reliability or completeness either expressed or implied is given other than those required by law. The user is responsible for checking the suitability of products for their intended use.

NOTE

Field service where provided does not constitute supervisory responsibility. Suggestions made by KingKrete Inc. either orally or in writing may be followed, modified or rejected by the owner, engineer or contractor since they, and not KingKrete Inc. are responsible for carrying out procedures appropriate to a specific application.